

Anvil modular storage unit design Krystian Kowalski, 2015

Use: modular storage unit system for home and office interiors

Structure: hexagonal section powder-coated steel, square section horizontal steel connectors, system available in the RAL palette colours and, at additional charge, in the Sahara finishing collection colours, copper, pearl brass and rust powder coatings.

Base: plastic feet with height adjustment

Shelves: surface finishing variants available:

- veneered: varnished MDF shelves in the Comforty veneer collection colours.
- MDF with semi matt finishing: MDF shelves, varnished in the RAL palette colours
- MDF with matt finishing with quartz particles: MDF shelves, varnished in the RAL palette colours
- HPL Abet Laminati

Rear panels:

- veneered: varnished MDF panels in the Comforty veneer collection colours.
- MDF with semi matt finishing: MDF panels, varnished in the RAL palette colours
- MDF with matt finishing with quartz particles: MDF panels, varnished in the RAL palette colours
- HPL Abet Laminati

Additional technical information:

- basic module length is 112 cm. Other lengths, not listed among the available options, e.g. 60, 80, 90 cm can be ordered upon request – detailed drawing is required
- please contact our customer service for individual orders
- units higher than 258 cm can be delivered upon request – detailed drawing is required

- please contact our customer service for individual orders
- bottom modules are equipped with screwed plastic feet for levelling the storage unit
- the Anvil system can be fixed to the wall, floor and ceiling (if required by the selected configuration or design); fixing holes are 5 mm in diameter
- rear panels cannot be joined vertically (one shelf level under another)
- assembly manual included in the packaging
- the system is delivered assembled or flat-packed depending on the selected option

Additional information for placing your order:

- for configurations of selected modules with rear panels, please indicate in the order precisely in which module the rear panels will be used and provide the chosen rear panel finishing option and colour
- for configurations of selected modules with rear panels, please consider shelves adjacent to the rear panel correspondingly: as the bottom shelf for the rear panel and the upper shelf for the rear panel, according to the price list. Your order needs to precisely indicate the number of bottom shelves for the rear panel, upper shelves for the rear panel, and shelves, with finishing and colours indicated. The total sum of shelves in a given configuration comprises all types of shelves.

Additional option



Available finishing options:

Base

Steel, semi matt powder-coated in standard 20 colours from RAL palette

Steel, powder-coated with the structure: copper, pearl brass, rust

Steel, powder-coated with the sand structure: Sahara Night 520, Sahara Black 501, Sahara Grey 502, Sahara Blue 504, Sahara Silver 507, Sahara Mirage 509, Sahara Shade 522, Sahara white

Top

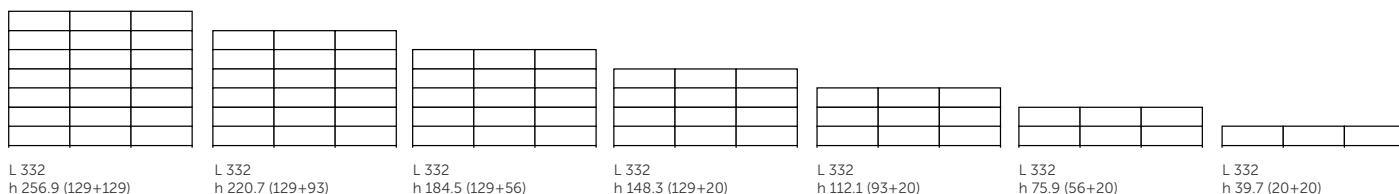
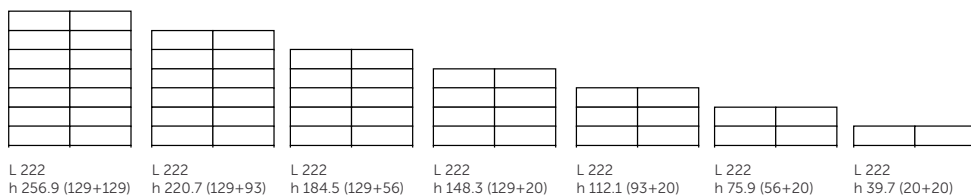
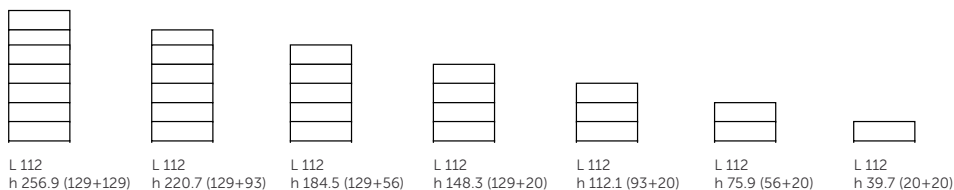
Natural oak veneer, black or brown orak veneer; natural American walnut, matt varnishing; alternatively: matt MDF with quartz dust, black, white laminate



Anvil modular storage unit design Krystian Kowalski, 2015

STANDARD CONFIGURATIONS

Dimensions	number of shelves	veneered shelf	MDF shelf (semi-matt)
L112 h 256.9	8		
L112 h 220.7	7		
L112 h 184.5	6		
L 112 h 148.3	5		
L 112 h 112.1	4		
L 112 h- 75.9	3		
L 112 h 39.7	2		
L 222 h 256.9	16		
L222 h 220.7	14		
L222 h 184.5	12		
L 222 h 148.3	10		
L 222 h 112.1	8		
L 222 h 75.9	6		
L 222 h 39.7	4		
L332 h 256.9	24		
L332 h 220.7	21		
L332 h 184.5	18		
L 332 h 148.3	15		
L332 h 112.1	12		
L332 h 75.9	9		
L332 h 39.7	6		



Anvil modular storage unit design Krystian Kowalski, 2015

CUSTOMISED CONFIGURATIONS

Steel elements

Module 20

Module 56

Module 93

Module 129

Connector (1 piece) – optional

Shelves and rear panels

Bottom shelf for the rear panel, veneered

Bottom shelf for the rear panel, MDF (semi matt)

Bottom shelf for the rear panel, HPL (Abet Laminati)

Upper shelf for the rear panel, veneered

Upper shelf for the rear panel, MDF (semi matt)

Upper shelf for the rear panel, HPL (Abet Laminati)

Veneered shelf

MDF shelf (semi matt)

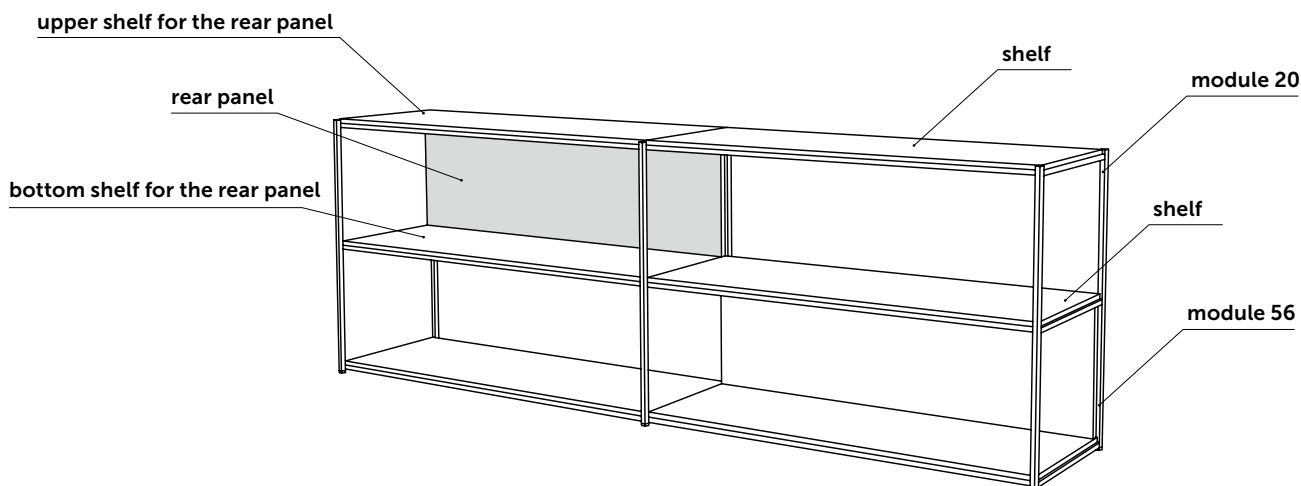
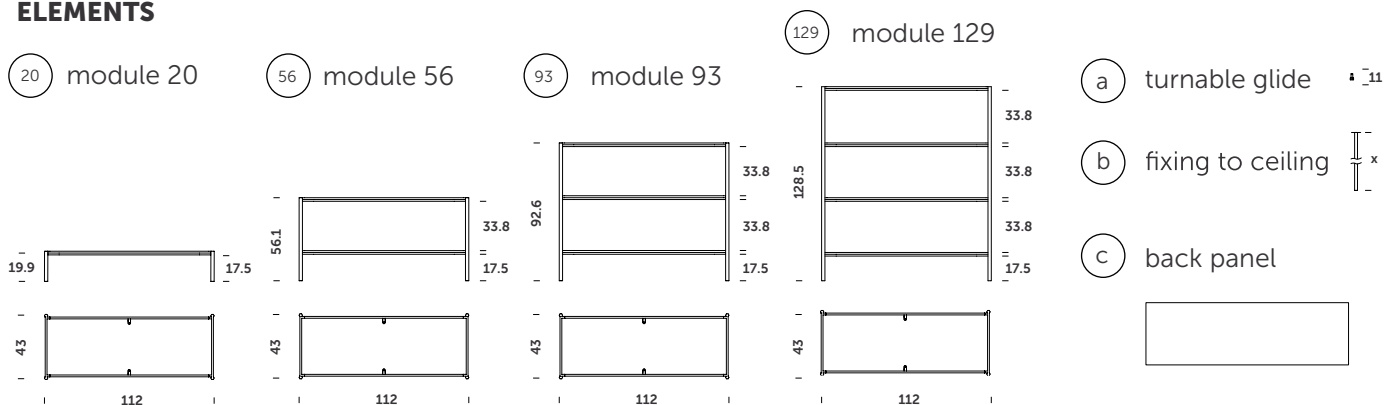
HPL shelf (Abet Laminati)

Veneered rear panel

MDF rear panel (semi matt)

HPL rear panel (Abet Laminati)

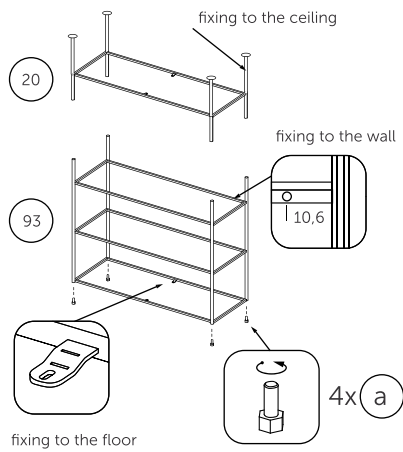
ELEMENTS



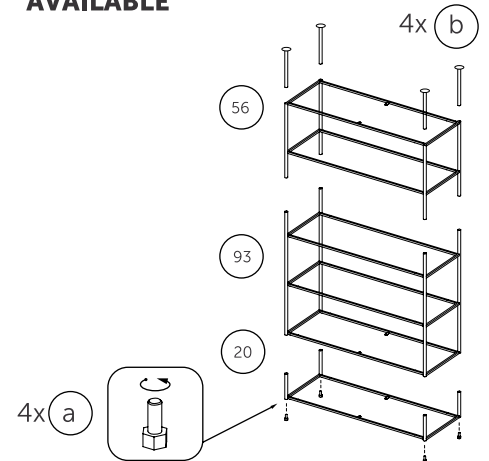
Comforty reserves the right to temporary limitation or withdrawal of any product from the price list without giving any notice or reason. We reserve the right to change price or technical parameters of our products. The overall dimensions of products may differ +/- 1cm, subject to a choice of upholstery. The price list is not a firm offer according to article 66, §1 of Polish Civil Code. Retail price in Euro, EXW - Nowe Skalmierzyce, Poland.

Anvil modular storage unit design Krystian Kowalski, 2015

SETTING THE ELEMENTS



CUSTOM CONFIGURATION AVAILABLE



MULTIPLE UNITS CONNECTION

