

# Floating design Philippe Nigro, 2009

**Use:** sofa for home interiors and public spaces

**Structure:** steel tubular frame, internal structure with plywood elements, frame in the colours from the RAL palette and the Sahara collection, copper, pearl brass and rust.

**Seat:** high-resilience foam, two levels of seat cushion softness available to choose from: soft and firm – please indicate your selection upon placing your order

**Backrest:** high-resilience foam

**Base:** plastic glides

## **ADDITIONAL INFORMATION:**

- sofa length can be extended on request by adding central modules of the same length
- combination of two types of fabric available
- two types of comfort available: soft and firm

Our selection of finishings and fabrics is available from

[www.comforty.pl/probnik](http://www.comforty.pl/probnik).

Comforty showrooms and our authorised representatives.

## **Additional option**

**RAL**

Fabric

Soft

Fabric

Firm

## **Additional finishing types available (not subject to discount)**

### Finishing

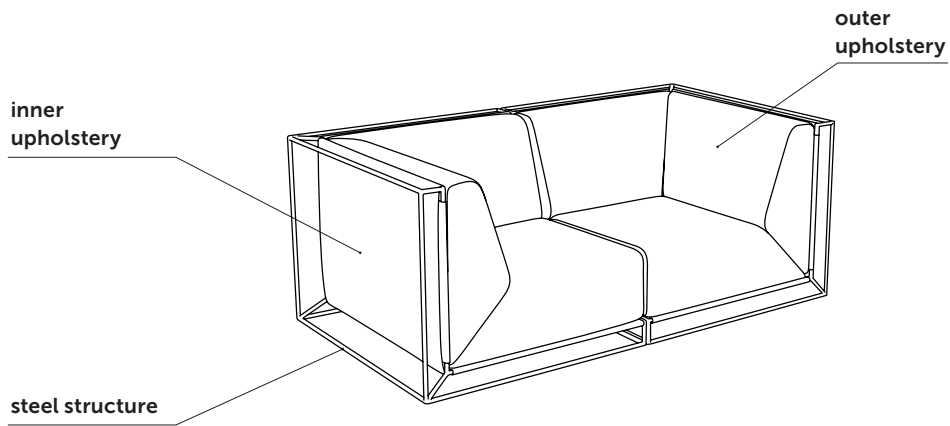
Sahara steel – sand structure powder coating

copper, pearl brass and rust powder coating



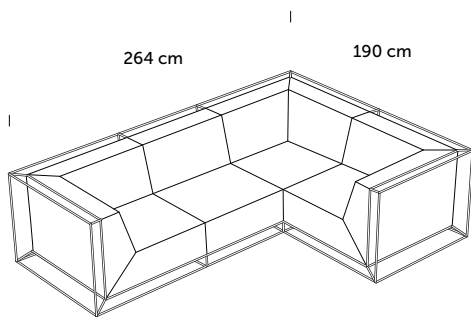
# Floating design Philippe Nigro, 2009

Floating fabric combination:

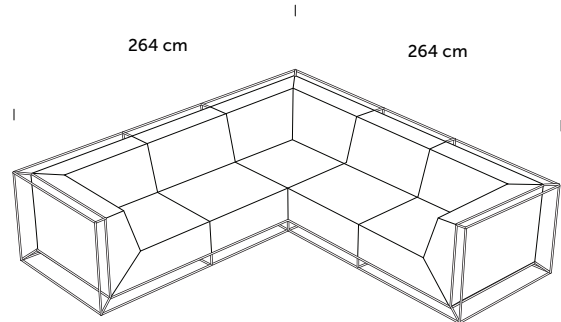


Selected Floating modules configurations:

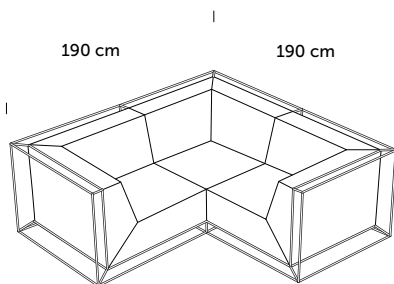
Sofa 2 with one armrest L/R + R + Armchair with one armrest (L/R)



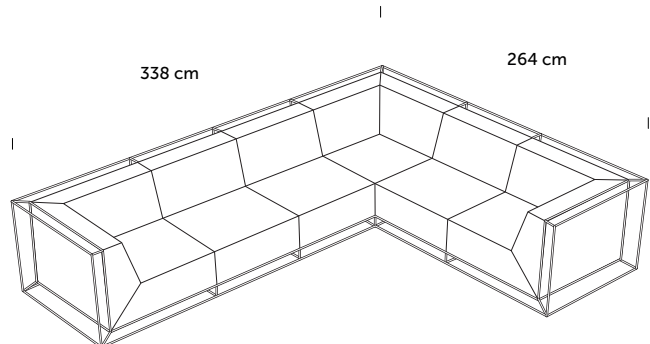
Sofa 2 with one armrest L/R + R + Sofa 2 with one armrest L/R



Armchair with one armrest (L/R) + R + Armchair with one armrest (L/R)

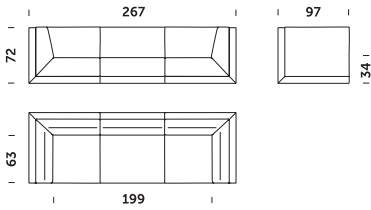


Sofa 3 with one armrest L/R + R + Sofa 2 with one armrest L/R



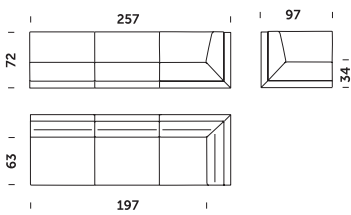
# Floating *design Philippe Nigro, 2009*

## Sofa 3

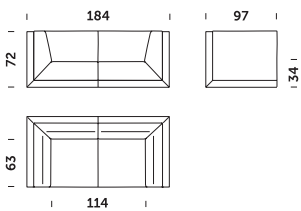


## Sofa 3 with 1 armrest L/R

This module can only be used for corner configurations and is not available individually

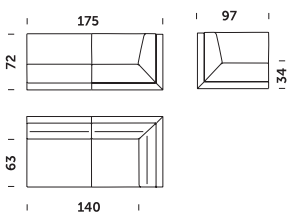


## Sofa 2



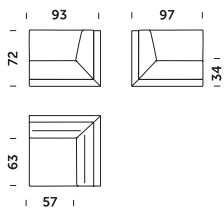
## Sofa 2 with 1 armrest L/R

This module can only be used for corner configurations and is not available individually



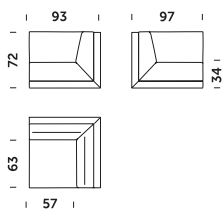
# Floating design Philippe Nigro, 2009

## Armchair L/R



## Armchair with 1 armrest L/R

This module can only be used for corner configurations and is not available individually



## Corner

This module can only be used for corner configurations and is not available individually

