

# Lol *design Tomek Rygalik, 2011*

**Use:** unfoldable sofa for home interiors

**Structure:** hardwood frame with elements of plywood

**Seat:** pocket springs, high-resilience foam

**Bed:** spring slats, high-resilience foam

**Backrest:** plywood elements, high-resilience foam

**Base:** solid oak or beech wood legs

Available in the Comforty solid wood collection colours as standard.

Optional: varnished legs with natural oak veneer

**ADDITIONAL INFORMATION:** funkcja spania wyposażona w podnośniki ułatwiające rozkładanie

Our selection of finishings and fabrics is available from

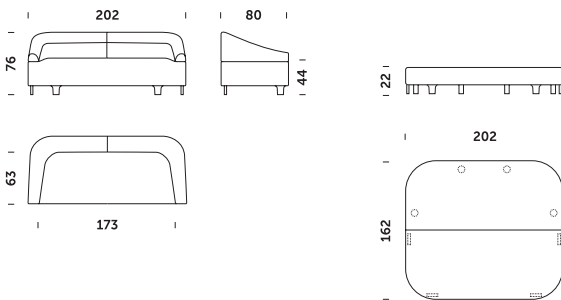
[www.comforty.pl/probnik](http://www.comforty.pl/probnik).

Comforty showrooms and our authorised representatives.

## Additional wooden surface finishing types at additional charge (not subject to discount):

Group	Type
A	super matt: natural oak
B	semi matt: whitened oak, Gordon Brown oak, brown oak, black oak matt: Alpi Graphite oak semi matt: American walnut*
C	semi matt: ebony*, rosewood* matt: Noa oak

## Unfoldable sofa



## Sofa unfolding method:

