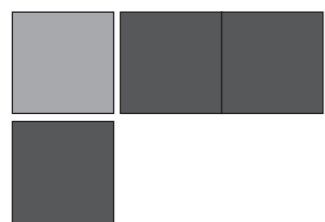
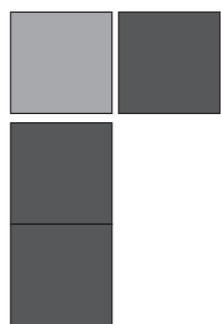


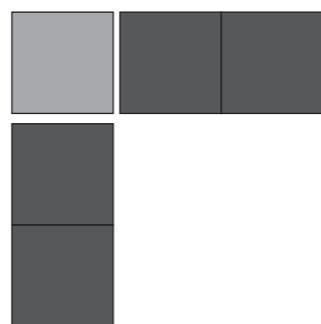
ARRANGEMENT EXAMPLES



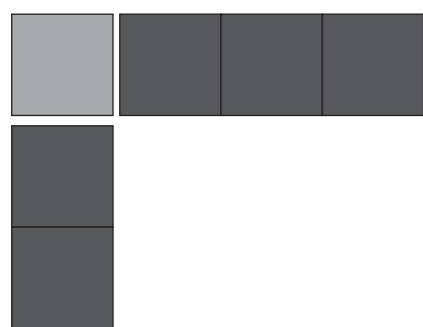
2x3



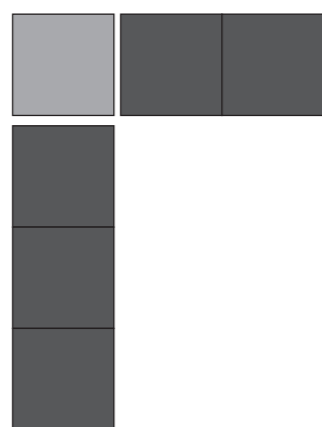
3x2



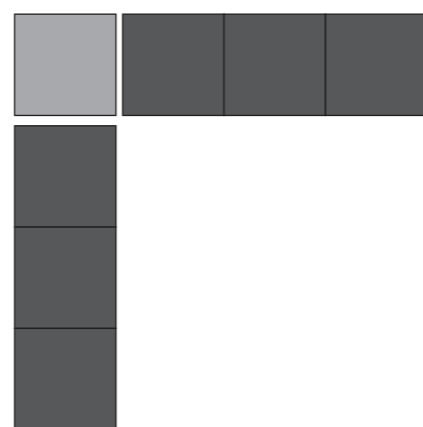
3x3



3x4

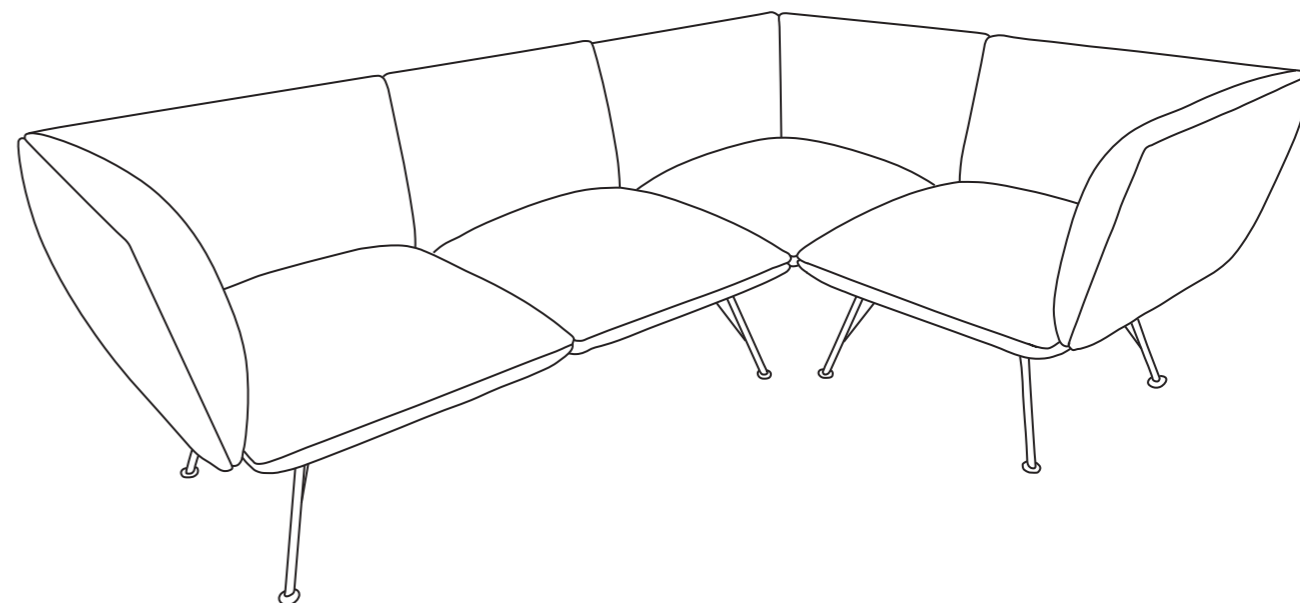
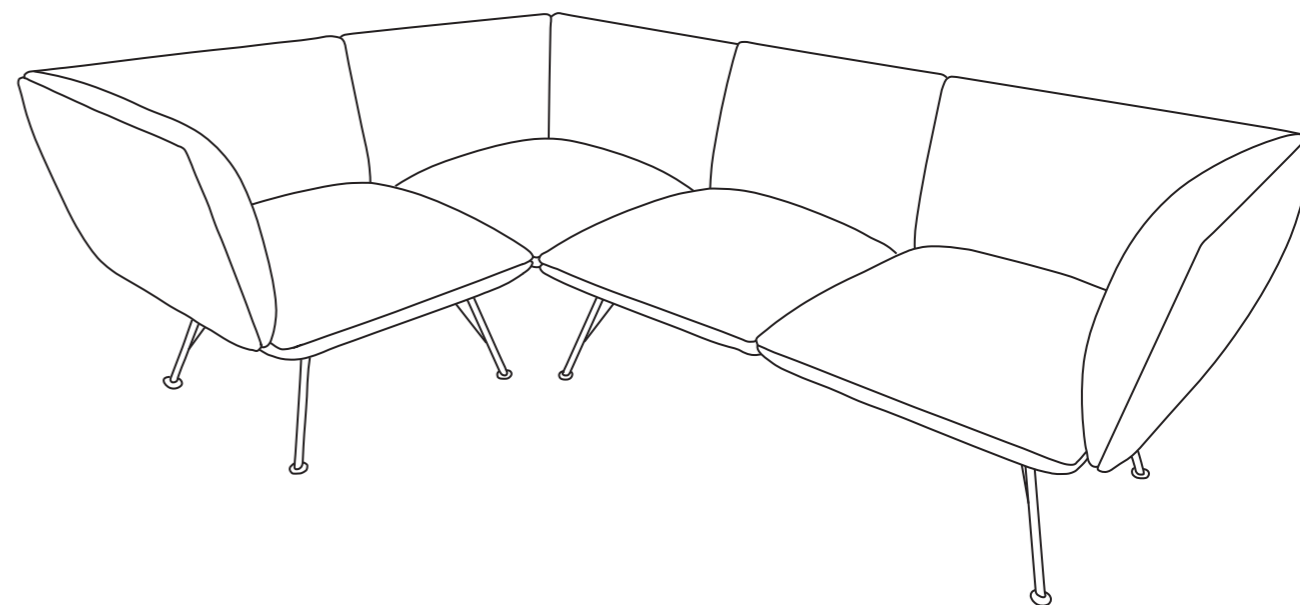


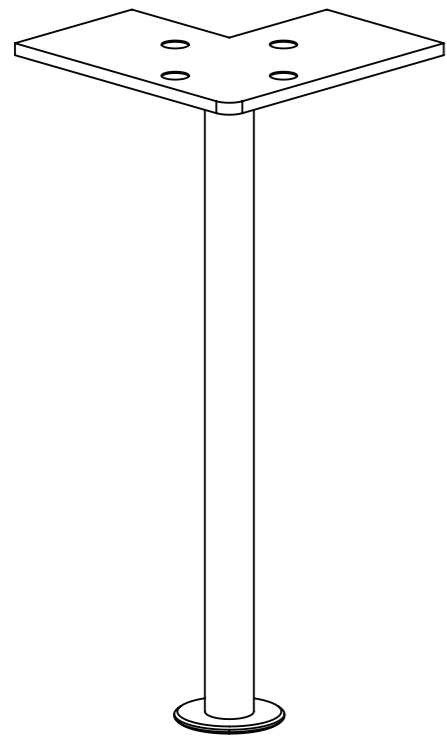
4x3



4x4

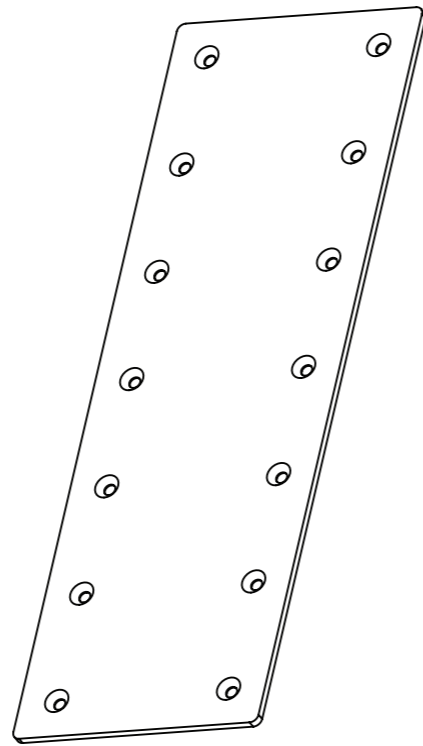
ALTAIR





1x

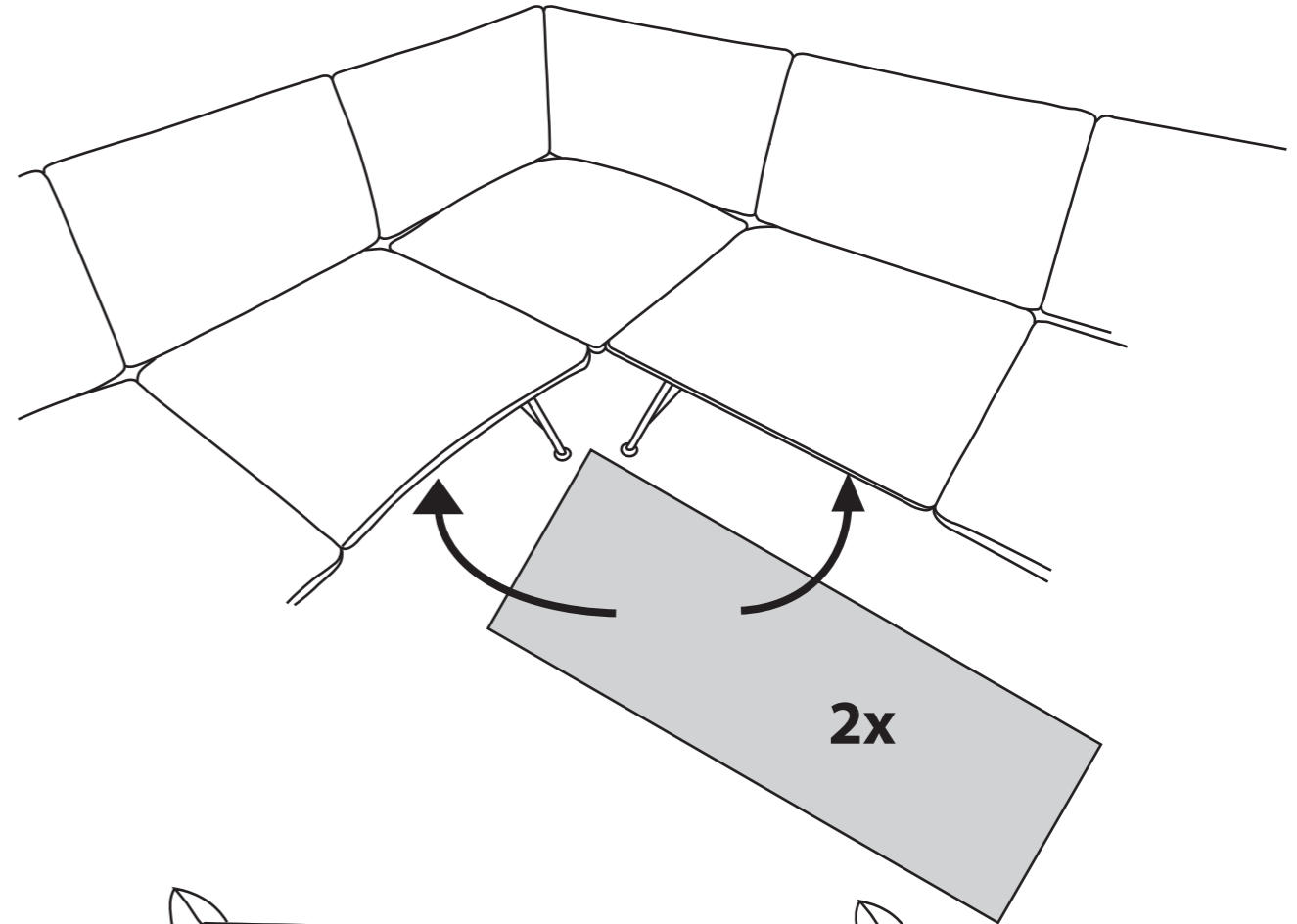
W-173-LEG-AB01



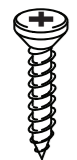
2x

W-173-B010

12

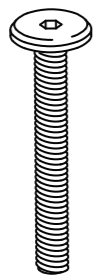


2x



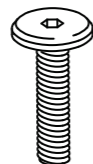
16x

UNIX 3,5x15



8x

M8x80



4x

M8x20



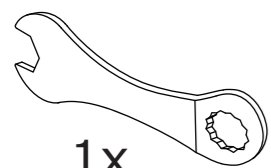
8x

M8 B



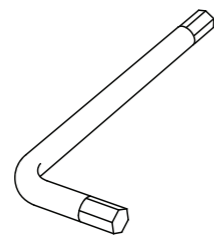
8x

8,5x22x2 B



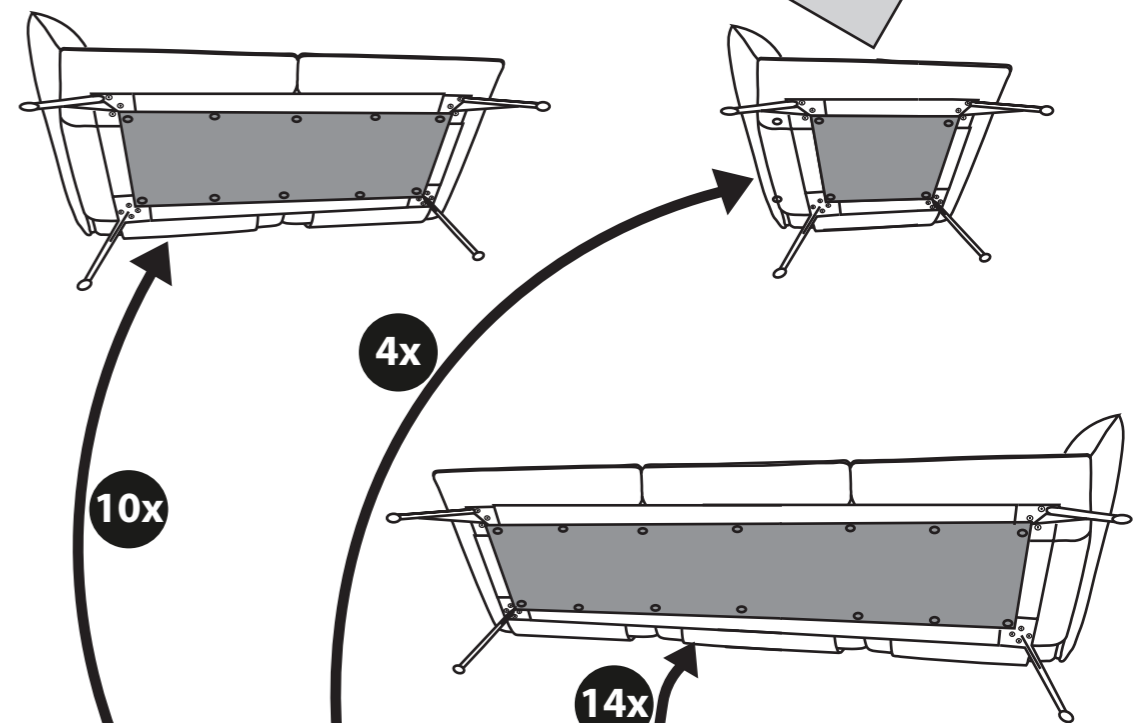
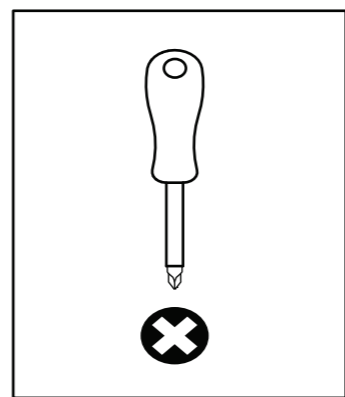
1x

128632



1x

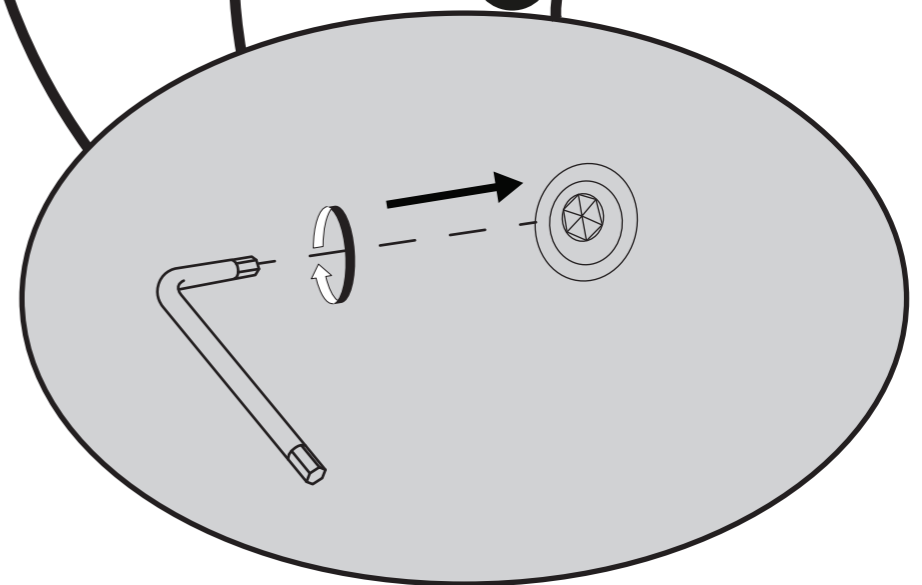
108490



10x

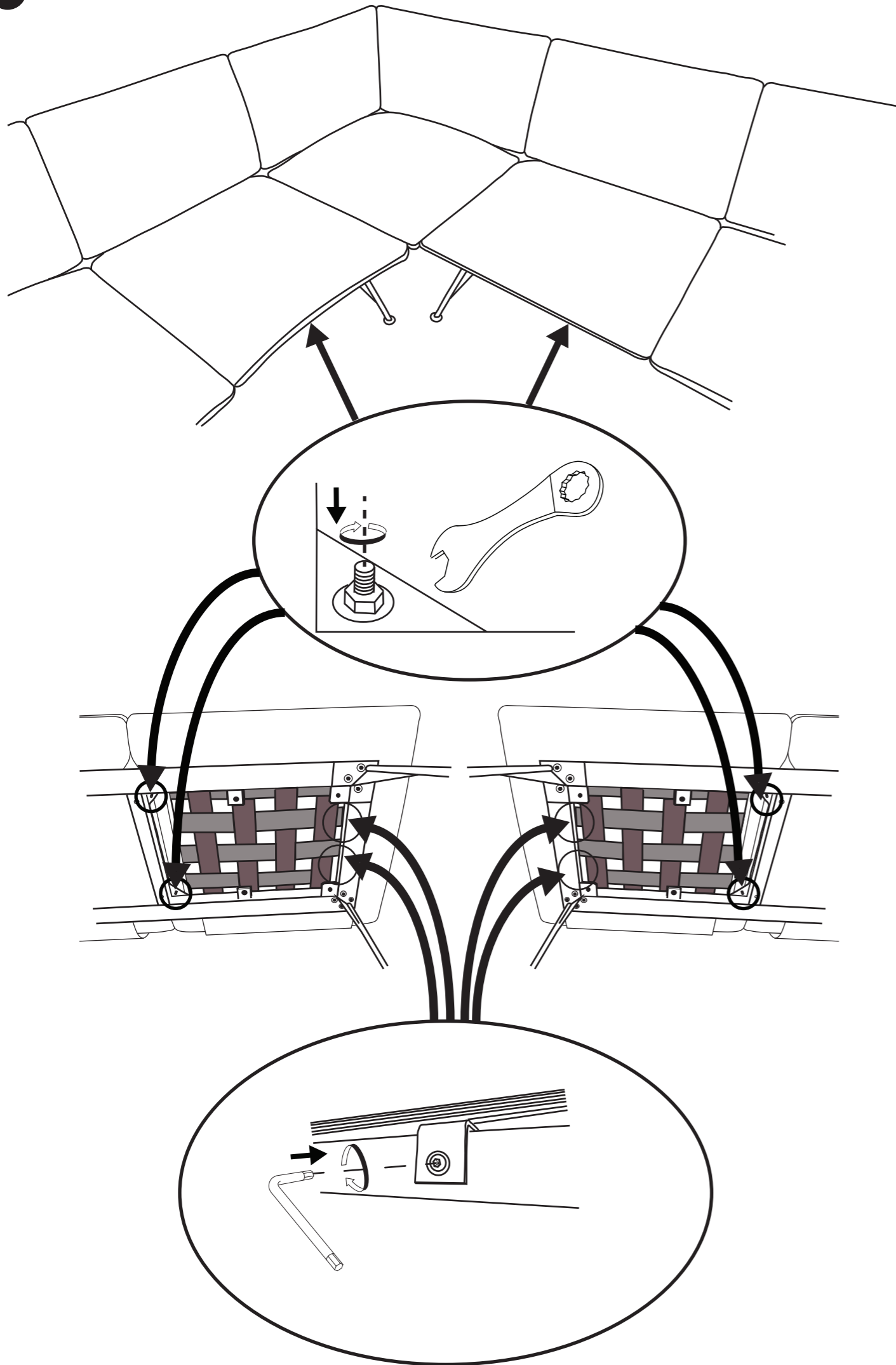
4x

14x

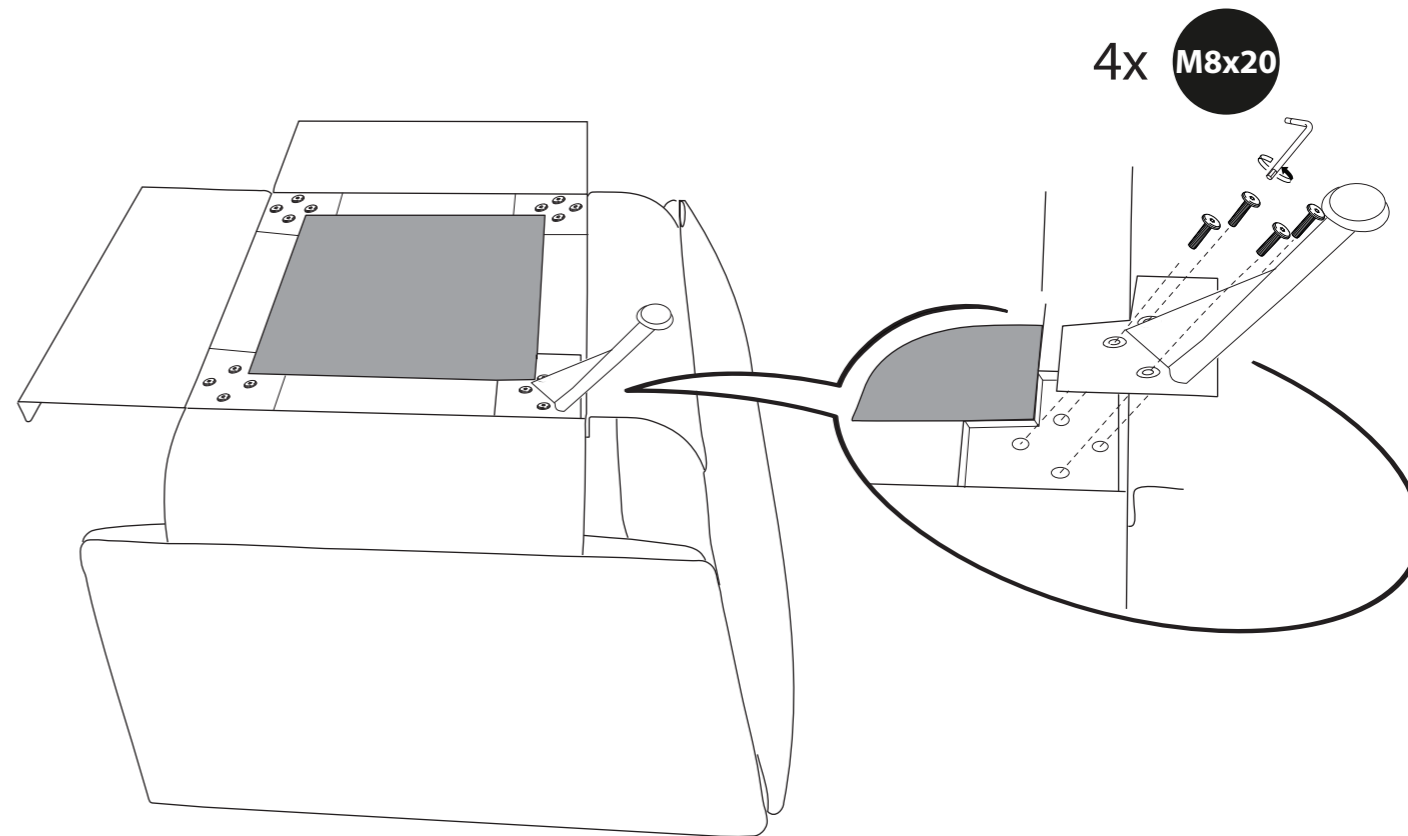


14x

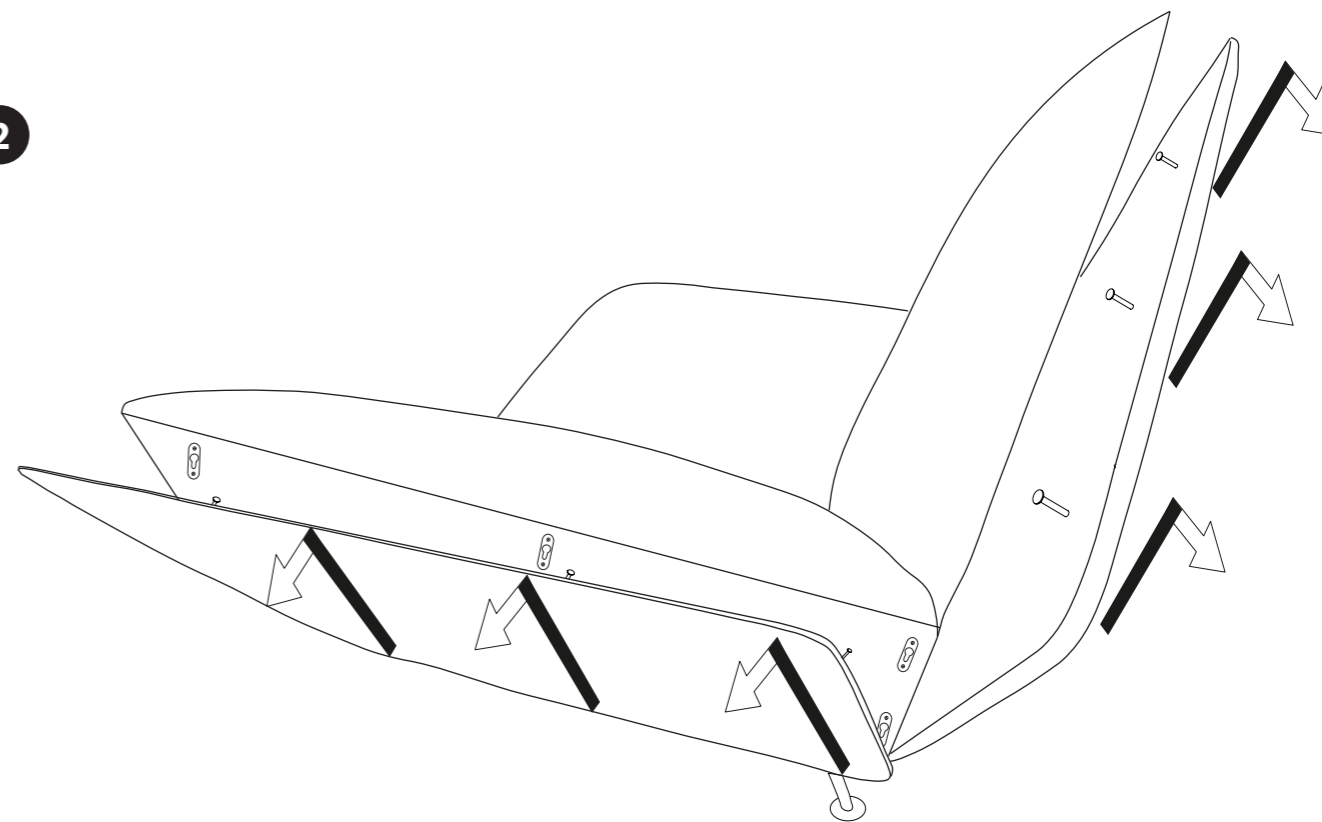
11



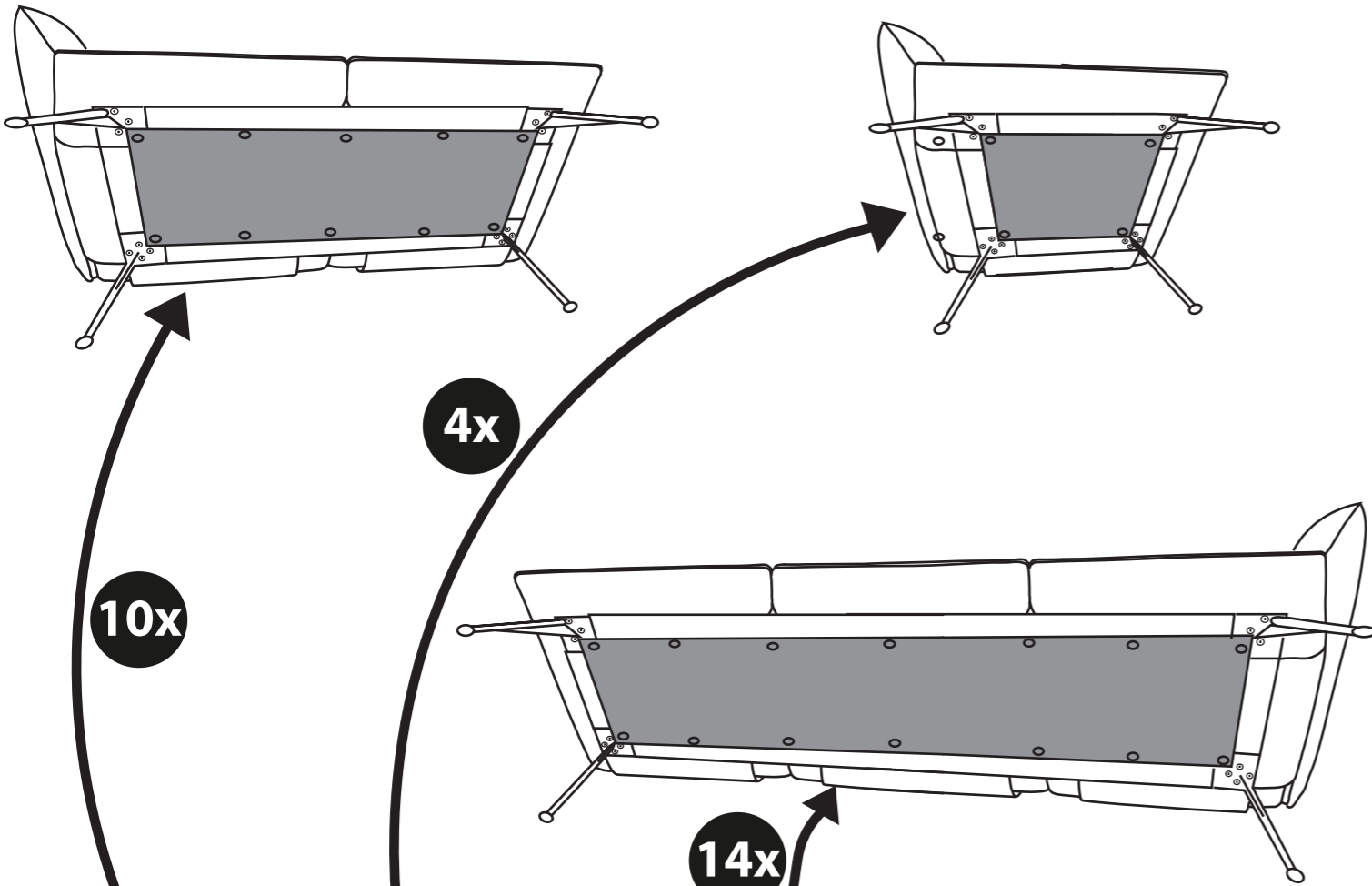
1



2



3

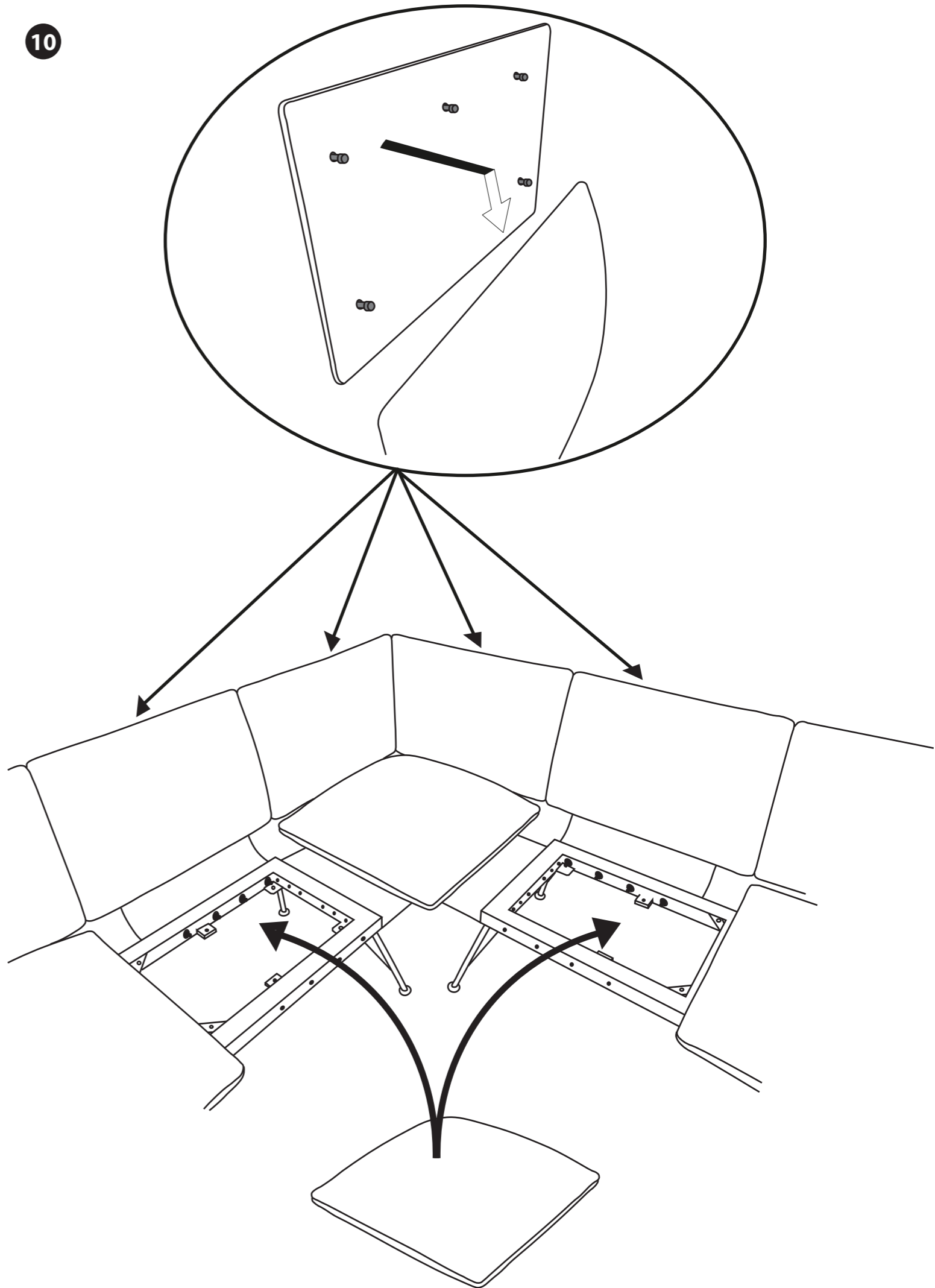


10x

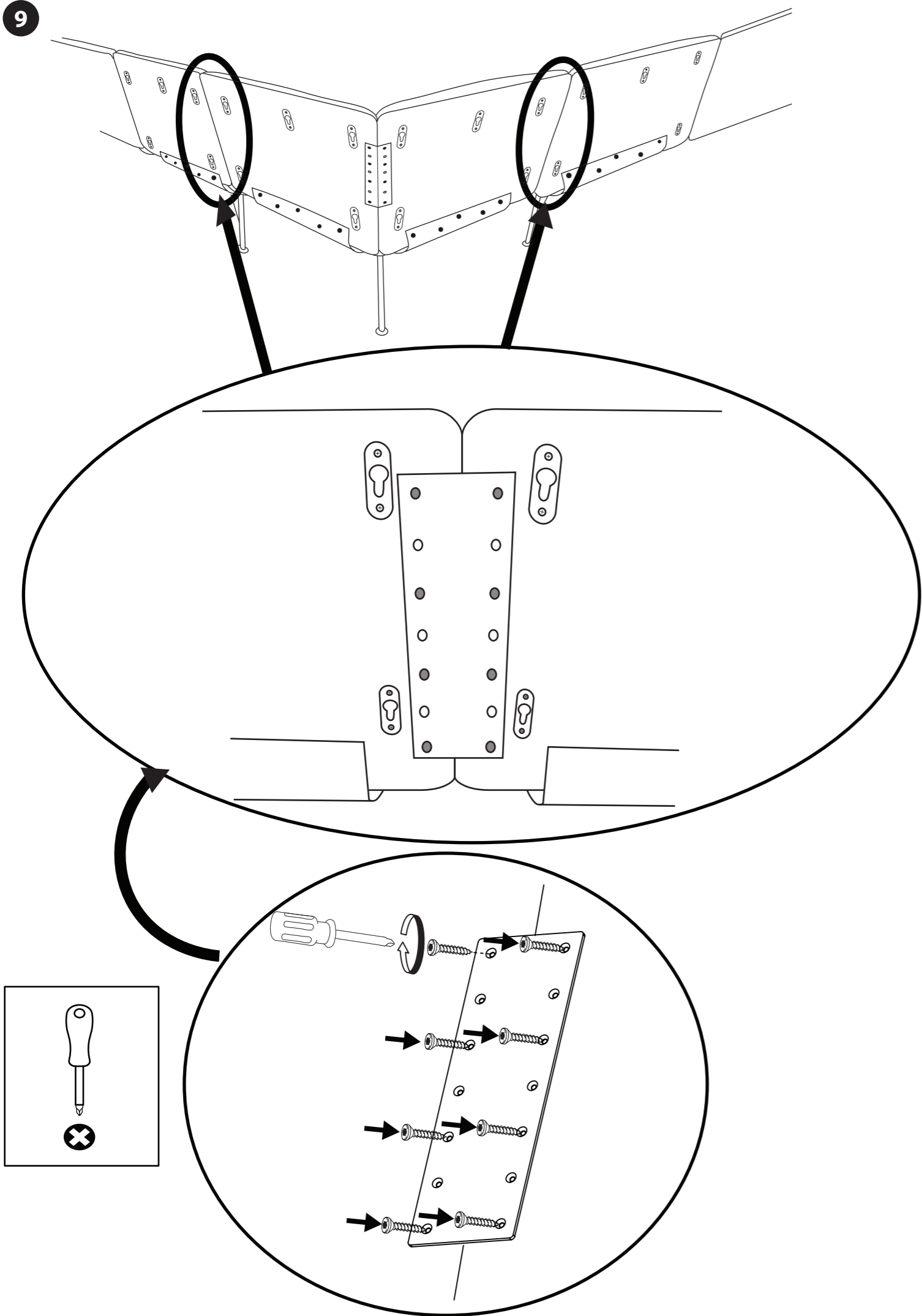
4x

14x

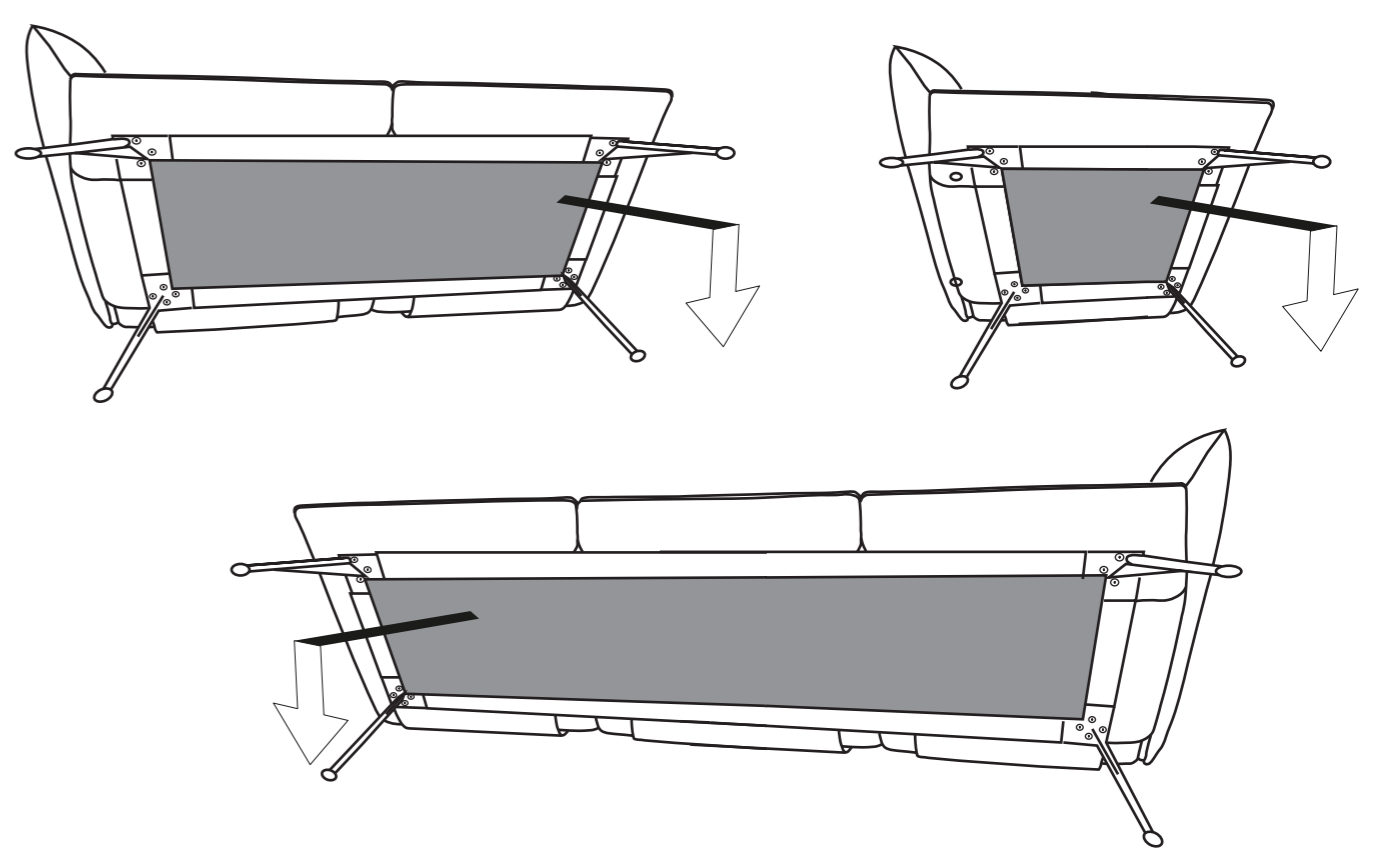
10



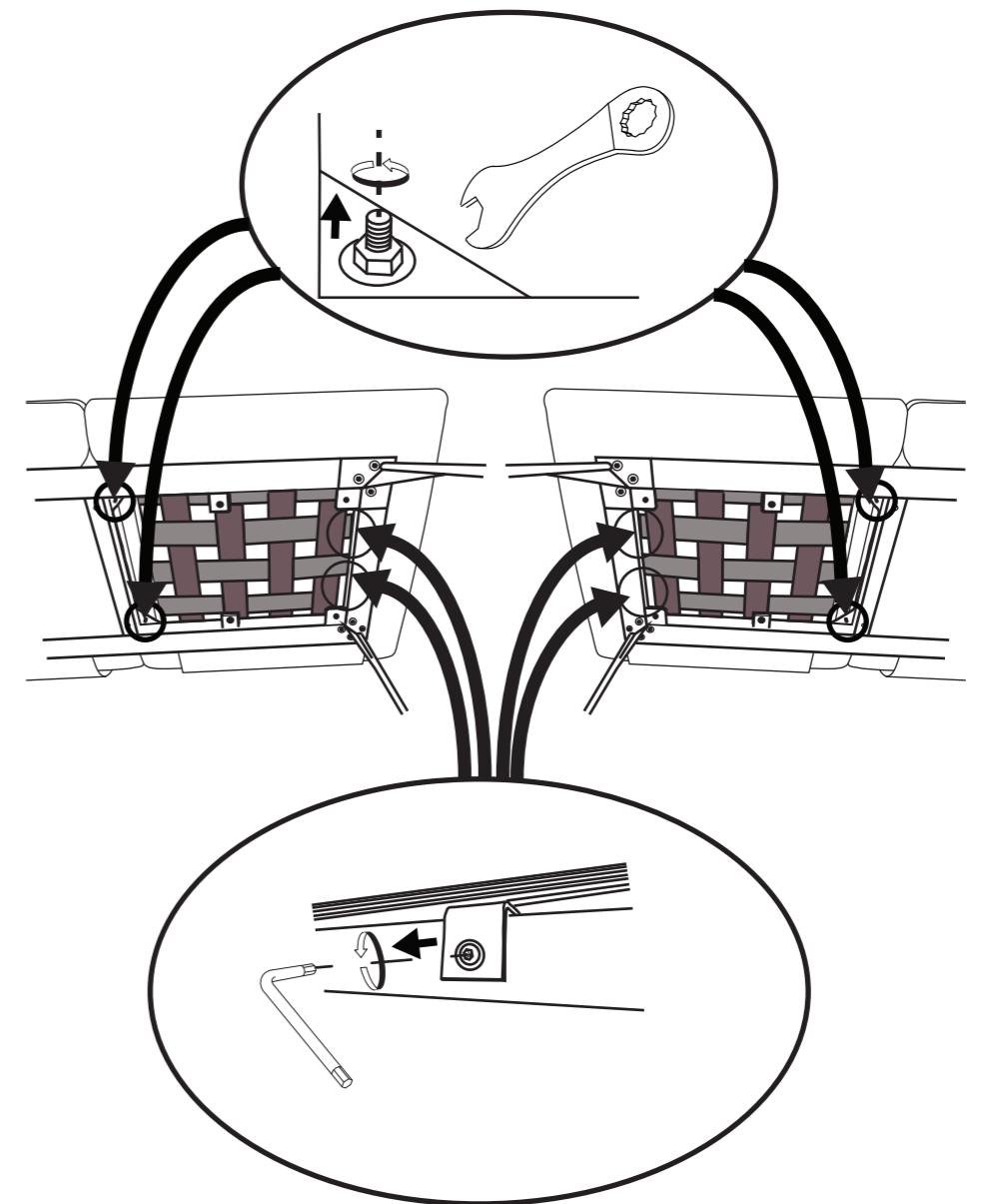
9



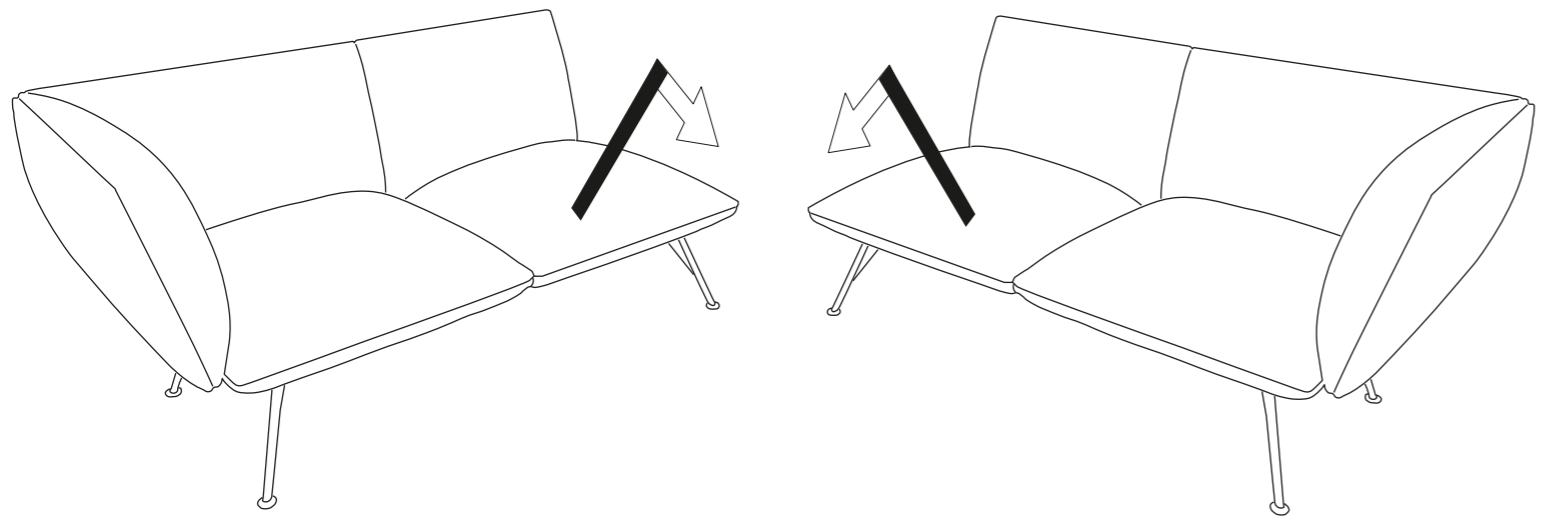
4



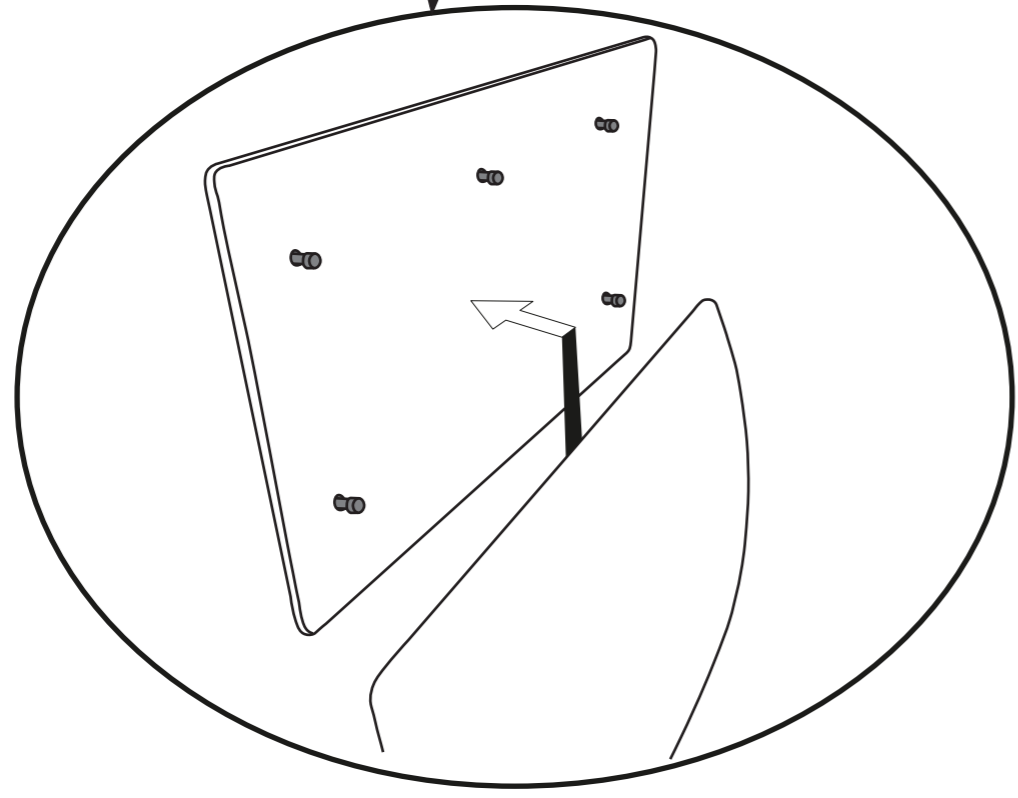
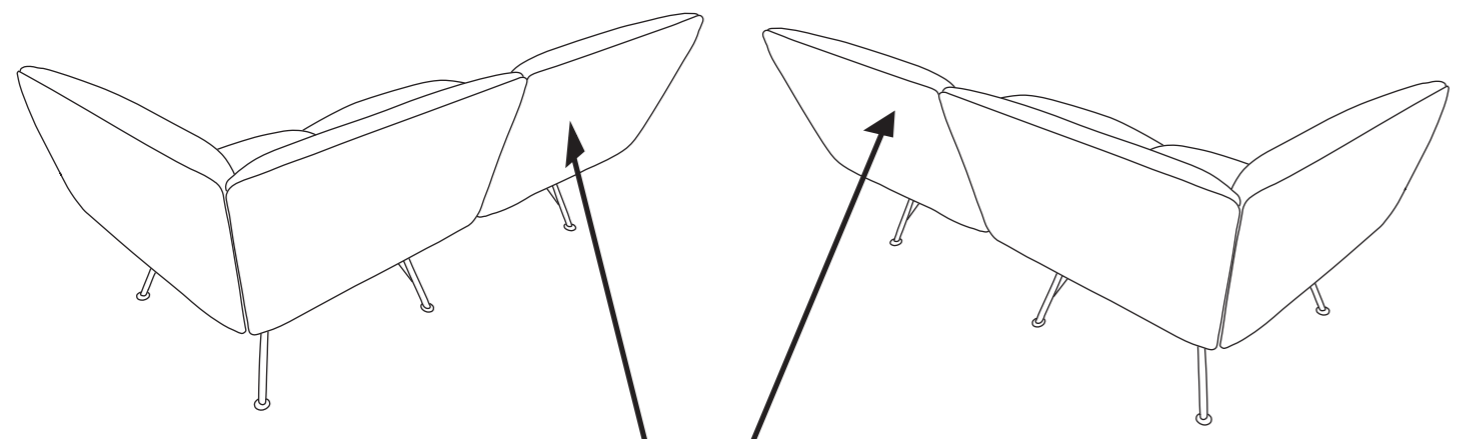
5



6



7



8

